



Project: \_\_\_\_\_  
 Location: \_\_\_\_\_  
 Item #: \_\_\_\_\_  
 Quantity: \_\_\_\_\_

## STEAMER ACCESSORIES

**MODELS:** 92-1014 (SSS) STATIONARY STAND FOR 4- & 6-PAN STEAMERS WITH WORK SHELF & TRAY  
 92-1012 (MSS) MOBILE STAND FOR 4- & 6-PAN STEAMERS WITH WORK SHELF & TRAY  
 92-1015 (STSS & STSM) STATIONARY/ MOBILE STAND FOR 6- & 8-PAN STEAMERS ONLY  
 92-1010 (EST) STATIONARY ECONOMY STAND FOR 4- & 6-PAN STEAMERS  
 92-1011 (ESTM) MOBILE ECONOMY STAND FOR 4- & 6-PAN STEAMERS  
 92-1008 (VEGA) CONDENSER HOOD FOR ALTAIR II & CAPELLA 4- & 6-PAN STEAMERS ONLY



in a stainless steel U bracket with neoprene glides. A welded stainless steel shelf is provided at the base of the stand for storage. Stand can accommodate a pan rack assembly that holds twelve 2-1/2" pans.

**92-1010 & 92-1011:** Economy Stand comes disassembled. The stand can be supplied with adjustable feet (92-1010 EST) or with swivel casters, two with brakes (92-1011 ESTM). Unit is constructed of stainless steel parts that are easily assembled. (hardware included) Stellar Steam steamer is bolted to the stand to position the steamer and secure to stand. Standard features include, all stainless steel components and assembly hardware included.

**92-1014 and 92-1012:** 30" Stand is constructed of stainless steel with all welded construction. The stand can be supplied with adjustable feet (92-1014 SSS) or with swivel casters, two with brakes (92-1012 MSS). Unit comes assembled. The top is fitted with four (4) foot clips for placement of a Stellar Steam steamer. Foot clips position the steamer and keep the steamer from moving on the top of the stand. Stand is equipped with a pull-out shelf with a built-in stop to provide a fourteen (14) inch deep work surface at the front of the steamer. The stop is designed as a lever to easily remove the shelf for sink cleaning. Shelf can move

**92-1015:** 12" Stand is constructed of stainless steel with all welded construction. The stand can be supplied with adjustable feet (92-1015 STSS) or with swivel casters, two with brakes (92-1015 STSM). Unit shall be used for 6- and 8-pan steamers. Unit comes assembled. Top is fitted with four (4) foot clips for placement of a Stellar Steam steamer. Foot clips position the steamer and keep the steamer from moving on the top of the stand. Standard features include, rigid all stainless steel construction, welded construction, shipped assembled, and foot clips on top surface for unit placement.

**VEGA Condenser Hood 92-1008:** Condenser hood is constructed of stainless steel and is equipped with three (3) 52.4 CFM, 115v cooling fans. Unit can be mounted on Capella 4- and 6- pan units; can be special ordered for Altair II 4- and 6-pan units. Vented steam from unit is condensed with up to 80% efficiency and drained to a collection bucket or air-gap drain. Standard features include, rigid all stainless steel construction and hose.

### Options and Accessories:

- Pan Rack (PRM) Holds fourteen (14) 2-1/2" Removable Pans (for 92-1014 & 92-1012 stands only)

### CHARACTERISTICS

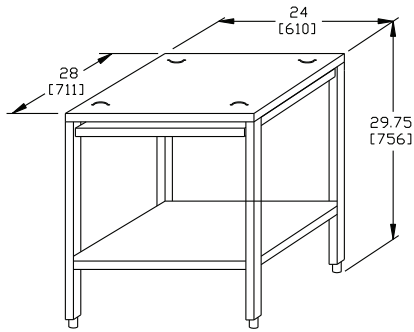
|  | 92-1014 (SSS) | 92-1012 (MSS) | 92-1015 (STSS) | 92-1010 (EST) | 92-1011 (ESTM) | 92-1008 (VEGA) |
|--|---------------|---------------|----------------|---------------|----------------|----------------|
| Width, Overall                             | 24            | 24            | 24             | 24            | 24             | 24.18          |
| Depth, Overall                             | 28            | 28            | 28.5           | 28.5          | 28.5           | 33.78          |
| Height, Overall + Legs                     | 30            | 34.5          | 12             | 30            | 34.5           | 6.12           |
| No. of Shelves                             | 1             | 1             | N/A            | N/A           | N/A            | N/A            |
| Shelf Area (sq. feet)                      | 2.05          | 2.05          | N/A            | N/A           | N/A            | N/A            |
| No. of 1.5" pans Pan Rack Assy (PRM) Holds | 12            | 12            | N/A            | N/A           | N/A            | N/A            |

Approvals:

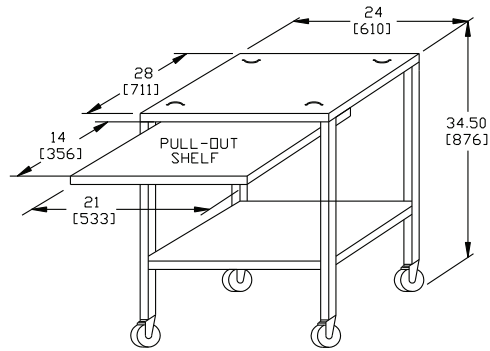


SPEC SHEET: S-6062 02/2009

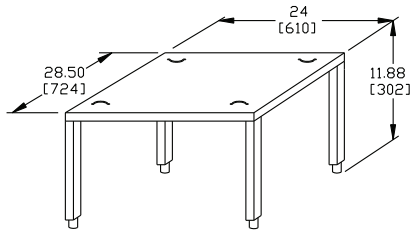
www.stellarsteam.com



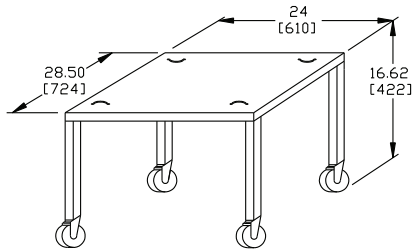
92-1014  
[SSS STATIONARY STAND WITH PULL-OUT SHELF]



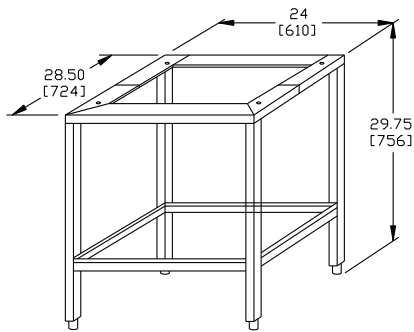
92-1012  
[MSS MOBILE STAND WITH PULL-OUT SHELF]



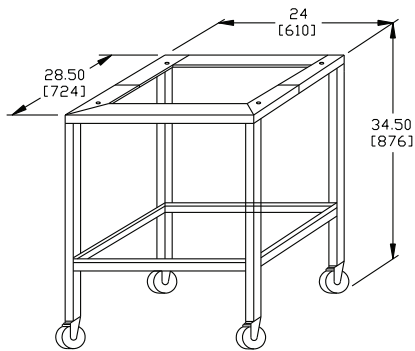
92-1015  
[STSS STATIONARY STAND]



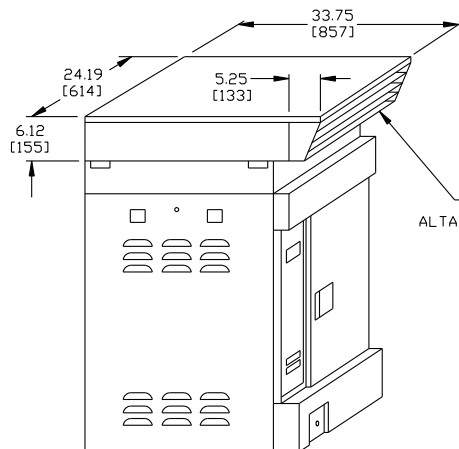
92-1015  
[STSM MOBILE STAND]



92-1010  
[EST STATIONARY STAND]



92-1011  
[ESTM MOBILE STAND]



CONDENSER HOOD ONLY FOR  
ALTAIR & CAPELLA 4- & 6-PAN STEAMERS

92-1008  
[VEGA CONDENSER HOOD]

Continuous product development may necessitate specification changes and design without notice.



Stellar Steam participates in the KCL CADalog, the most current source of CAD symbols for foodservice designers worldwide. Symbols include standard equipment in plan, side, front and 3-D views, layered for FEDA/FCSI recommended guidelines.